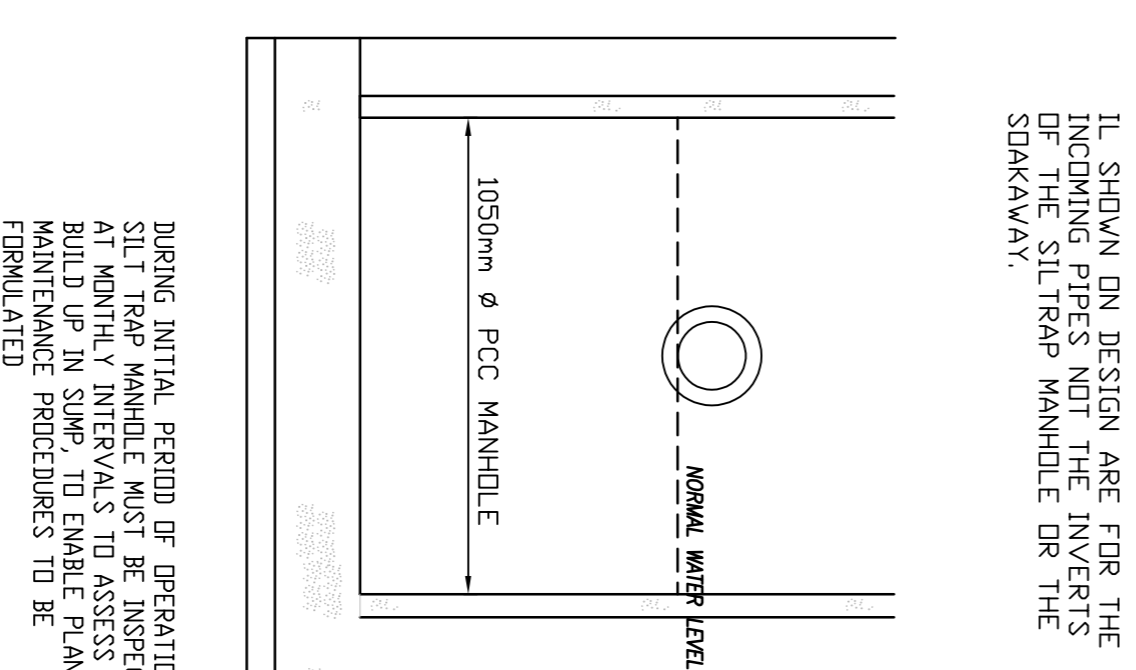
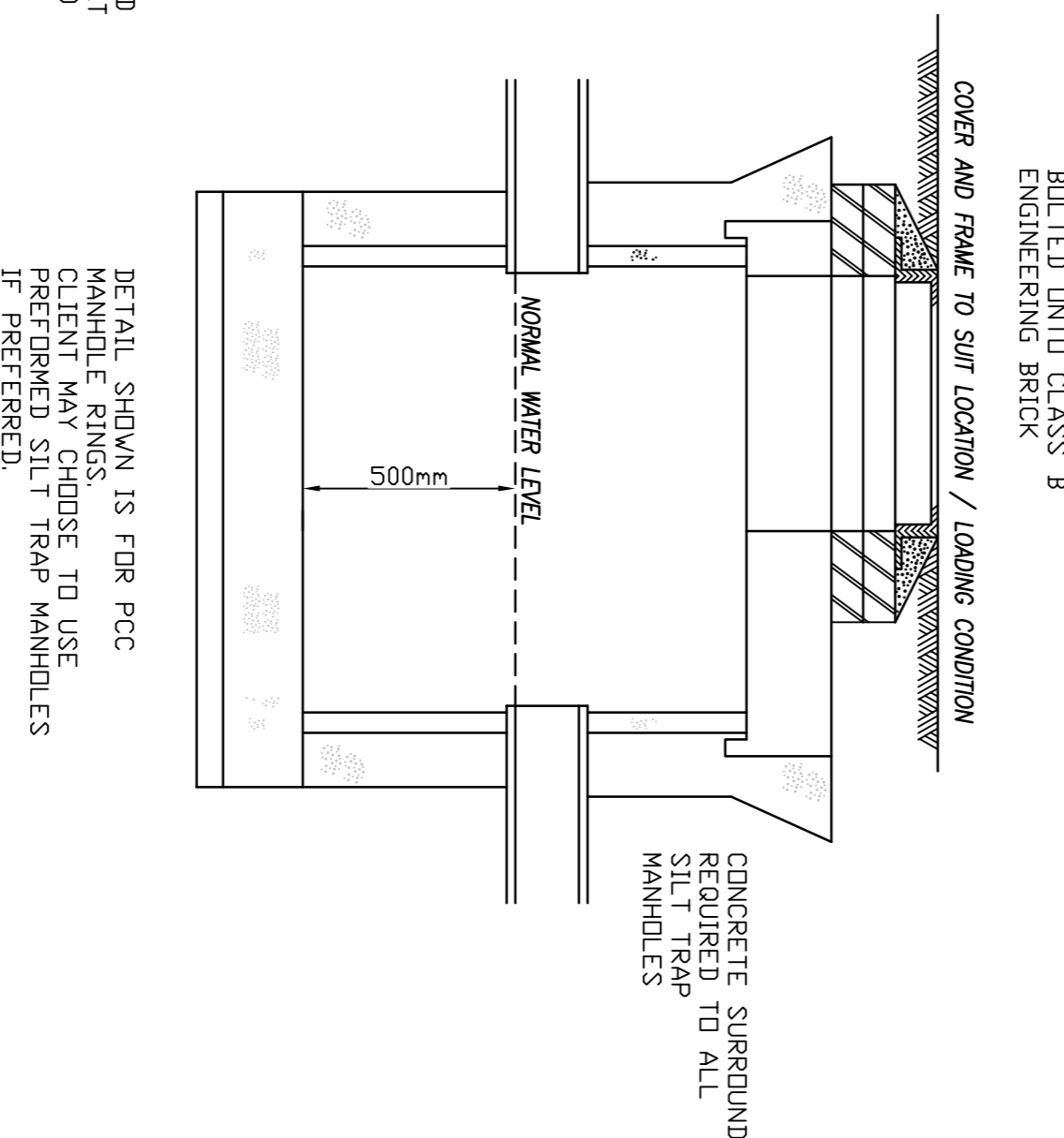


**TYPICAL FRENCH DRAIN DETAIL**  
SCALE: 1:20

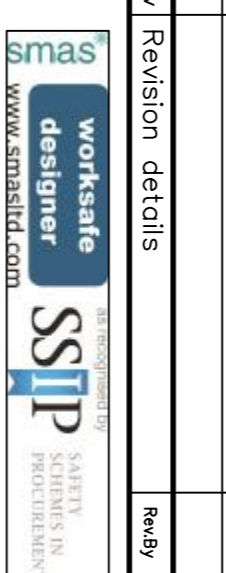



**TYPICAL SILT TRAP DETAIL**  
SCALE: N.T.S.



DURING INITIAL PERIOD OF OPERATION SILT TRAP MANHOLE MUST BE INSPECTED AT MONTHLY INTERVALS TO ASSESS SILT BUILT UP. IN SOME TO ENABLE PLANNED MAINTENANCE PROCEDURES TO BE IMPLEMENTED.

DETAIL SHOWN IS FOR PCC MANHOLE RINGS. CLIENT MAY CHOOSE TO USE PERFORATED SILT TRAP MANHOLES IF PREFERRED.

			
rev   Revision details Date Rev		Drawing Stage Issued Information Approval	
Client <b>PROSPECT HOMES LIMITED</b>		Drawing Status Tender Construction As Built	
Job title <b>HOLLINS CROSS FARM BURNLEY</b>			
Drawing title <b>GROUND WATER MITIGATION SECTIONS &amp; DETAILS</b>			
Date Scale Drawing No <b>21061/SK1/2</b>			
This drawing is the property of REFA and should not be copied, reproduced or used in any way without the written consent of REFA.			